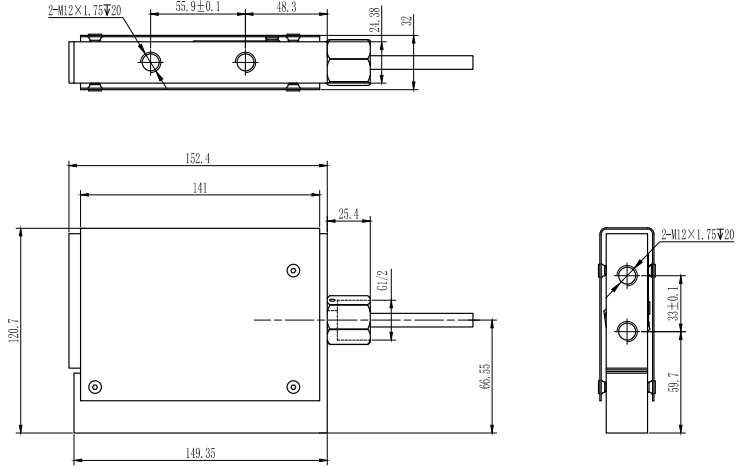


R581

◆ 安装尺寸/Mounting Dimension



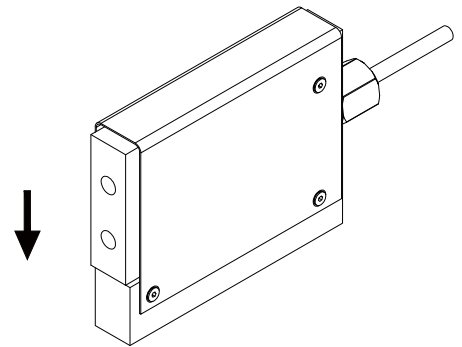
◆ 特点与用途/Features & Applications

- 不锈钢材质，稳定性强
- 适用于各种环境，IP68
- 主要用于包装秤，料斗秤，各种工业称重系统等
- Made of Stainless Steel, Strong stability
- Used in various automated stamping applications, IP68 protection
- Mainly used for packing scales, hopper scale and industrial measuring system

◆ 参数 Specifications 技术指标/Technique

输出灵敏度	Rated output	2.0 ± 0.01mV/V
非线性	Non-linearity	0.02%F.S.
滞后	Hysteresis	0.02%F.S.
重复性	Repeatability	0.02%F.S.
蠕变 (30min)	Creep(30min)	0.05%F.S.
温度灵敏度漂移	Temp.effect on output	0.005%F.S./10℃
零点温度漂移	Temp.effect on zero	0.005%F.S./10℃
输入电阻	Input impedance	380 ± 20Ω
输出电阻	Output impedance	350 ± 5Ω
绝缘电阻	Insulation	≥5000MΩ/100VDC
激励电压	Recommended excitation	5~15V
最大激励电压	Maximum excitation	15V
温度补偿范围	Compensated temp range	-10~60℃
工作温度范围	Operation temp range	-20~80℃
安全超载	Safe overload	200%F.S.
极限超载	Ultimate overload	300%F.S.
电缆线尺寸	Cable size	Φ8-2m
防护等级	IP Class	IP67

受力方式/Load Direction



◆ 配线图/Wiring Code

