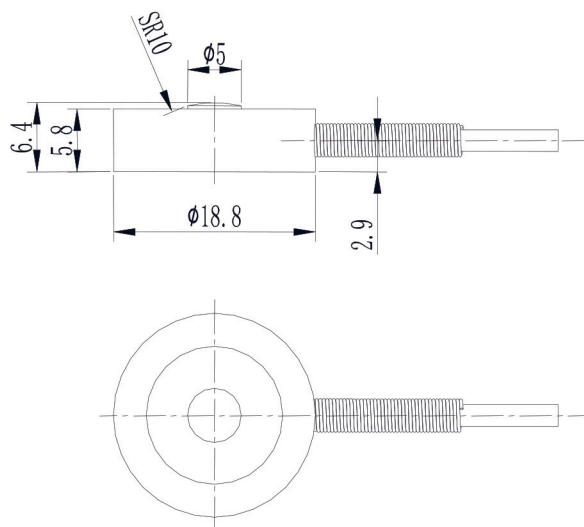


## R214



### ◆ 安装尺寸/Mounting Dimension



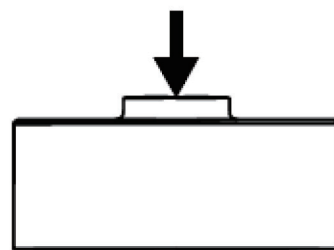
### ◆ 特点与用途/Features & Applications

- 超薄设计，高度低，变形量小，外形尺寸小、精度高
  - 不锈钢材料
  - 防护等级：IP67, 可定制
  - 汽车压装、自动化组装、3C产品测试、新能源产品组装、医疗检测、机器人领域，模具组装及其他工业测试、测量及控制系统
  - 动态响应频率高
- Ultra-thin construction with small deflection and mini dimension with high accuracy
  - Made of stainless steel
  - IP67 protection, customizable
  - Suitable for Automotive press fit, automated assembly, 3C products testing, new energy product assembly, medical testing, robotics, mold assembly and other industrial testing and control system
  - High dynamic response frequency

### ◆ 参数 Specifications 技术指标/Technique

参数	Specifications	技术指标/Technique
额定容量	Capacity	50,100,200, 500,1000N
输出灵敏度	Sensitivity	1.5 ± 10% mV/V
零点输出	Zero balance	± 0.05 mV/V
非线性	Non-linearity	0.2% F.S.
滞后	Hysteresis	0.2% F.S.
重复性	Repeatability	0.1% F.S.
蠕变 (30min)	Creep(30min)	0.1% F.S.
温度灵敏度漂移	Temp.effect on output	0.05% F.S./10°C
零点温度漂移	Temp.effect on zero	0.05% F.S./10°C
输入电阻	Input impedance	700 ± 10 Ω
输出电阻	Output impedance	700 ± 10 Ω
绝缘电阻	Insulation	≥ 5000M Ω/100VDC
激励电压	Recommended excitation	5~15V
最大激励电压	Maximum excitation Voltage	20V
温度补偿范围	Compensated temp range	-10~60°C
工作温度范围	Operating temperature range	-20~80°C
安全载荷	Safe load limit	150% F.S.
破坏负载	Breaking load	200% F.S.
电缆线尺寸	Cable size	φ 3 × 4000mm
材料	Material	Stainless Steel (不锈钢)
防护等级	IP Class	IP67

### ◆ 受力方式/Load Direction



### ◆ 配线图/ Wiring Code

