



新产品

压向传感器

拉压向传感器

压电力传感器

多维力传感器

称重传感器

张力传感器

螺纹力

扭矩传感器

其它定制力传感器

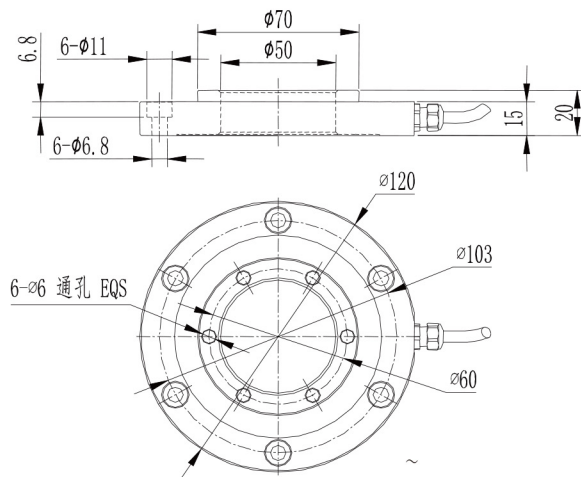
称重模块

仪表模块放大器

## R118B



### ◆ 安装尺寸/Mounting Dimension



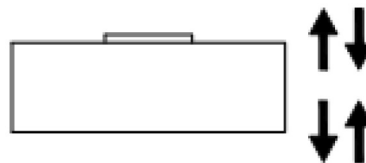
### ◆ 参数 Specifications 技术指标/Technique

参数	Specifications	技术指标/Technique
额定容量	Capacity	0.1,0.2,0.5,1,2,3,5,10t
输出灵敏度	Rated output	1.5 ± 10% mV/V
零点输出	Zero balance	± 2% F.S.
非线性	Non-linearity	0.2% F.S.
滞后	Hysteresis	0.2% F.S.
重复性	Repeatability	0.1% F.S.
蠕变 (30min)	Creep(30min)	0.03% F.S.
温度灵敏度漂移	Temp.effect on output	0.02% F.S./10°C
零点温度漂移	Temp.effect on zero	0.02% F.S./10°C
输入电阻	Input impedance	780 ± 10 Ω
输出电阻	Output impedance	700 ± 5 Ω
绝缘电阻	Insulation	≥ 5000 MΩ/100VDC
激励电压	Recommended excitation	5~12V
最大激励电压	Maximum excitation	15V
温度补偿范围	Compensated temp range	-10~40°C
工作温度范围	Operation temp range	-10~70°C
安全超载	Safe overload	120% F.S.
极限超载	Ultimate overload	150% F.S.
电缆线尺寸	Cable size	φ4 × 4000mm
防护等级	IP Class	IP66

### ◆ 特点与用途/Features & Applications

- 法兰式传感器
- 合金钢/不锈钢材料
- 拉压双向，量程可定制
- 主要应用于汽车压装、自动化组装、3C产品测试、新能源产品组装、
- 医疗检测、机器人领域，模具组装等工业测控系统，也适用于试验机，汽车衡，料斗秤，各种工业称重系统等
- Pancake type load cell
- Alloy steel / stainless steel
- Tension and compression application, capacity is able to be customized
- Mainly used for automotive press fit, automated assembly, 3C products testing, new energy product assembly, medical testing, robotics, mold assembly and other industrial testing and control system; this also is applicable to testing machine, truck scale, hopper scale, a variety of industrial weighing systems
- High dynamic response frequency

### ◆ 受力方式/Load Direction



### ◆ 配线图/Wiring Code

